



## HD 8 VV

HD 8 VV - Articulated tandem roller with two vibratory drums



- ▶ Hydrostatic dual drum drive
- ▶ Automatic/manual vibration system
- ▶ Hydrostatic articulated steering
- ▶ Excellent maneuverability
- ▶ Low sound level
- ▶ 3 braking systems with Emergency Stop button
- ▶ Plastic water tank, pressurized water system, hand serviceable, plastic spray nozzles
- ▶ Fixed, 2.2" (56mm), offset
- ▶ Front and rear, single side drum support allows flush compacting

# HD 8 WV

HD 8 WV - Articulated tandem roller with two vibratory drums



<b>Weights</b>		<b>HD 8 WV</b>
Operating weight with ROPS	lbs (kg)	3,483 (1580)
Maximum weight	lbs (kg)	4,057 (1840)
Axle load, front/rear	lbs (kg)	1,686/1,797 (765/815)
Static linear load, front/rear	lbs / in (kg/cm)	53.5/57.0 (9,6/10,2)

<b>Machine Dimensions</b>		
Max. working width	in (mm)	33.7 (856)
Turning radius, inside	in (mm)	87.8 (2230)

<b>Diesel engine</b>		
Manufacturer		KUBOTA
Model		D1005-E3B
Number of cylinders		3
Power rating DIN/ISO3046IFN kW/HP/rpm		14,8/20.1/2700
Power rating SAE J1349, HP/kW/rpm		20.0/14,8/2700
Fuel tank, capacity	Gal (Ltr)	8,7 (33)

<b>Drive</b>		
Hydrostatic drive, front/rear		Hydraulic motor/hydraulic motor
Speed, infinitely variable	mph (km/h)	0-6.8 (0-11,0)
Climbing ability, vibration on/off	%	30/40

**Vibration system**  
Hydrostatic drive. Front and back vibration / one double switch, automatic vibration switch-off at overspeed. Manual or automatic vibration control

<b>Vibration</b>		
Vibration frequency, front (I, II)	vpm (Hz)	3,120/3,900 (52/65)
Vibration frequency, rear (I, II)	vpm (Hz)	3,120/3,900 (52/65)
Amplitude, front	in (mm)	.020/.020 (0,50/0,50)
Amplitude, rear	in (mm)	.020/.020 (0,50/0,50)
Centrifugal force, front	lbs (kN)	3,600/5,625 (16/25)
Centrifugal force, rear	lbs (kN)	3,600/5,625 (16/25)

<b>Steering</b>		
Steering, type		Articulated steering
Steering, actuation		hydrostatic, steering wheel
Steering angle +/-	Grad	33°
Oscillation angle +/-	Grad	8°

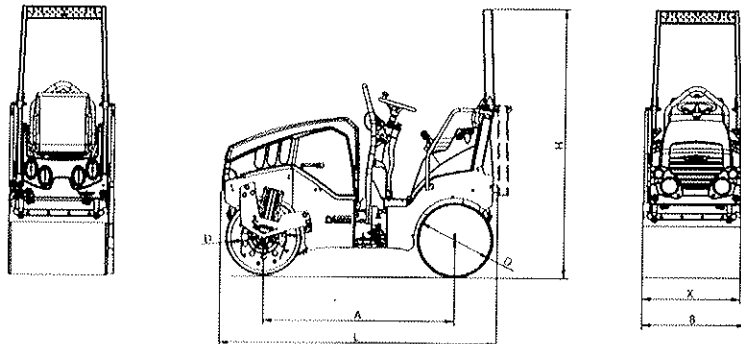
<b>Brake system</b>		
Service brake, mode of action		hydrostatic
Service brake, actuation		Drive lever
Parking brake, mode of action		Spring-loaded/multi-disc
Parking brake, actuation		Electric and/or automatic
Emergency brake, mode of action		hydr./mech.
Emergency brake, actuation		Emergency stop button

<b>Sprinkler system</b>		
Water sprinkler, type		Pressure
Actuation, sprinkling		interval/manual
Water tank, capacity	Gal (Ltr)	18,5 (70)

**Standard equipment**  
Comfort seat, multifunctional control lever, hourmeter, pilot lamps and emergency stop button.  
ROPS, seat belt, back up alarm, Driving lights, CE-conformity.

**Optional equipment**  
ROPS mounted, front and rear work lights, Rotating beacon, Special paint.

Total length	L	88.9"	(2260)
Total width	B	33.7"	(856)
Total height	H	87"	(2210)
Wheel base	A	61.4"	(1560)
Drum width	X	31.5" / 31.5"	(800/800)
Drum diameter	D	24.4" / 24.4"	(620/620)
Height loading, min.	HI	62.2"	(1580)



**WIRTGEN AMERICA - HAMM COMPACTION EQUIPMENT**

6030 Dana Way • Antioch, TN 37013 • 615-501-0600 • Fax 615-501-0691 • www.wirtgenamerica.com