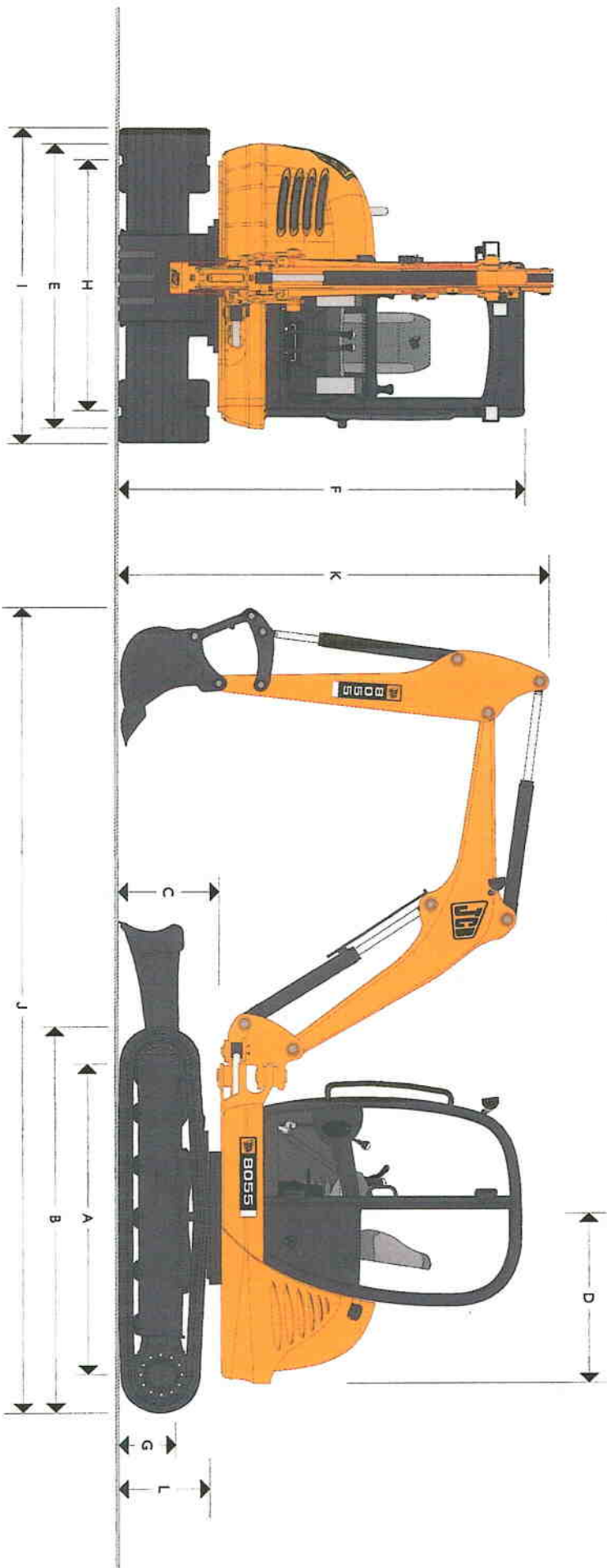




OPERATING WEIGHT: RTS – 5300 kg (11660 lbs), ZTS (excluding counterweight) – 4995 kg (11012 lbs) NETT ENGINE POWER: 34.1 kW (45.7 hp)



STATIC DIMENSIONS

Machine model	8055 RTS/ZTS	Machine model	8055 RTS/ZTS
A Sprocket idler centres – rubber	191 (6-6)	F Height over cab	2563 (8-5)
Sprocket idler centres – steel	2006 (6-7)	G Ground clearance	340 (1-1)
B Undercarriage overall length – rubber	2516 (8-3)	H Track gauge	1600 (5-3)
Undercarriage overall length – steel	2531 (8-4)	I Width over tracks	2000 (6-7)
C Kingpost clearance	682 (2-3)	J Transport length with standard dipper	5153 (16-11)
D Tailswing radius	1055 (3-5)	K Transport height	2758 (9-1)
E Overall width of superstructure	1800 (5-11)	L Track height	650 (2-2)



ENGINE

Machine Model	8055 RTS/ZTS
Model	Isuzu 4LE-INA Tier 3
Fuel	Diesel
Cooling	Water Cooled
Gross power	kW (hp) @ 2600 rpm 35.9 (48.1)
Net power	kW (hp) @ 2600 rpm 34.1 (45.7)
Gross torque	Nm (lbf ft) @ 1800 rpm 140 (103)
Net torque	Nm (lbf ft) @ 1800 rpm 134.4 (99.1)
Displacement	cc 2179
Gradability	degrees 35
Battery	volt/amps 12 / 75Ah
Alternator	amps 80 (120)

UNDERCARRIAGE

Machine model	8055 RTS/ZTS
No of bottom rollers (per side)	5
Track width	mm (in) 400 (15½)
Ground bearing pressure	kg/cm ² (psi) 0.333 (4.73)
Ground clearance	mm (in) 340 (1-1)
Track tensioning	Grease
Travel speed – low	kph (mph) 2.7 (1.7)
Travel speed – high	kph (mph) 5.1 (3.2)
Tractive effort	kN (lbf) 60.7 (13645.9)

HYDRAULIC SYSTEM

Machine Model	8055 RTS/ZTS
Pump	63cc
Nominal output (@ rated)	lpm 163
Nominal output	US gal/min 43
Excavator/track main relief	bar (psi) 250 (3626)
Slew main relief	bar (psi) 220 (3191)
Auxiliary hydraulic flow	litres (US gal) 90 (23.8)
Auxiliary low flow	litres (US gal) 25 (6.6)
Auxiliary high flow	litres (US gal) 140 (37)
Hydraulic motors	Piston

OPERATOR ENVIRONMENT

	External	Internal
Cab/canopy height with FOGS guard	mm (ft-in) 2563 (8-5)	1550 (5-1)
Cab/canopy height no FOGS guard	mm (ft-in) 2575 (8-5½)	1550 (5-1)
Cab height with air conditioning	mm (ft-in) 2706 (8-10½)	1550 (5-1)
Cab height no air conditioning	mm (ft-in) 2575 (8-5¼)	1550 (5-1)
Cab/canopy length	mm (ft-in) 1328 (4-4)	1187 (3-11)
Cab/canopy width	mm (ft-in) 980 (3-2½)	933 (3-1)
Distance from seat base to roof	mm (ft-in) 1570 (5-2)	1570 (5-2)
Door aperture width	mm (ft-in) 564 (1-10)	564 (1-10)

SERVICE CAPACITIES

Machine model	8055 RTS/ZTS
Fuel tank	litres (US Gal) 68 (18)
Engine coolant	litres (US Gal) 13.5 (3.56)
Engine oil	litres (US Gal) 9 (2.3)
Hydraulic system	litres (US Gal) 98 (25.98)
Hydraulic tank	litres (US Gal) 55 (14.52)

MACHINE WEIGHTS

Machine model	8055 RTS/ZTS
Operating weight*	kg (lb) 5300 (11660)
Transport weight	kg (lb) 5225 (11495)
With canopy	kg (lb) -80.0 (-176.0)
With FOGS guard	kg (lb) +25 (+55)
With short 1500mm dipper	kg (lb) -18 (-40)

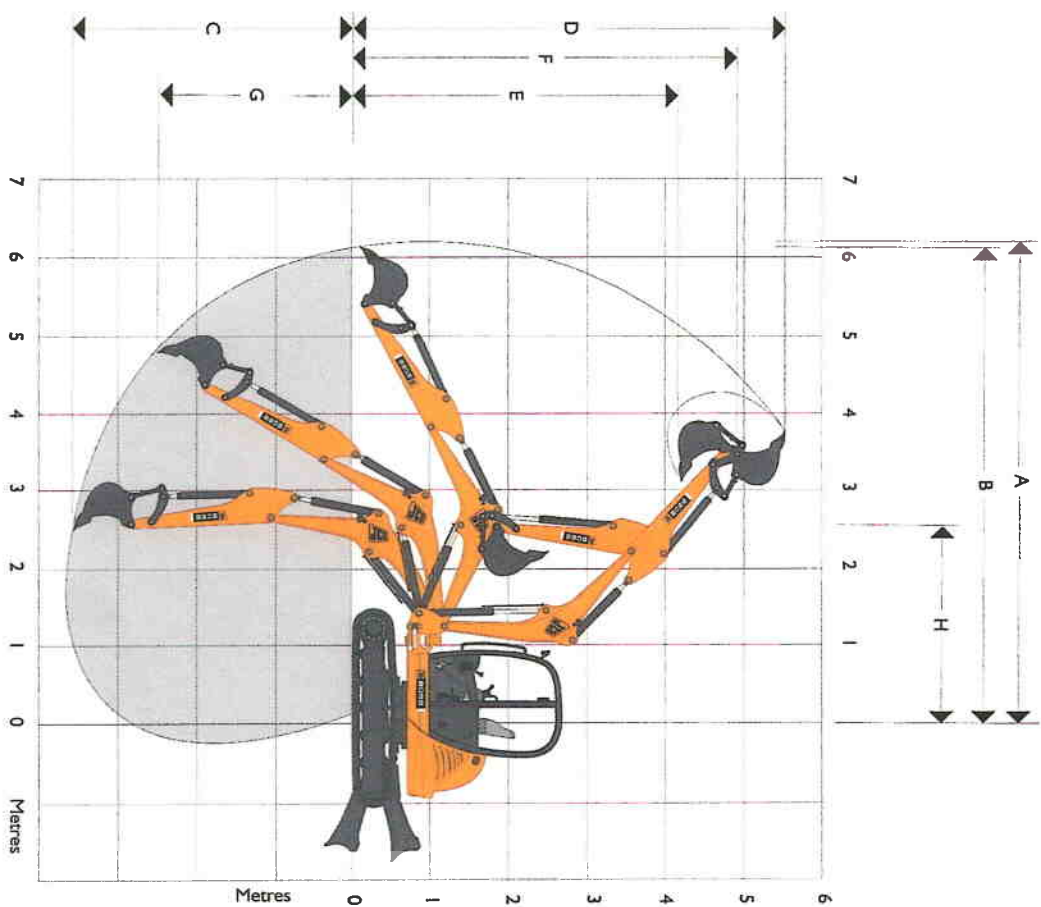
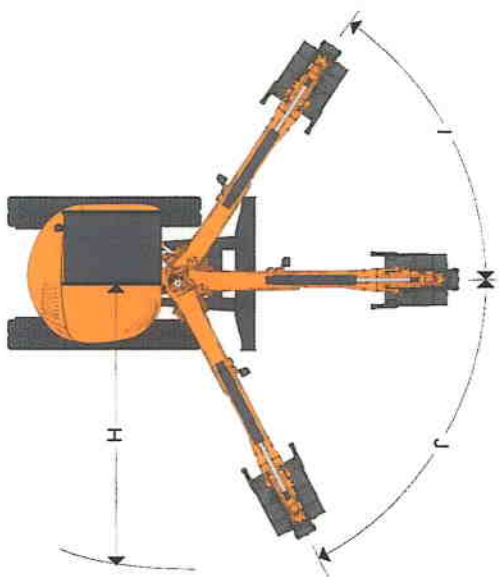
*Operating weight to ISO 60116 including cab, rubber tracks, standard dipper, 460mm (18in) bucket, full tanks and a 75kg (165lb) operator. ZTS (excluding shipped counterweight) is 5000kg (11023lb).

DOZER BLADE

Machine model	8055 RTS/ZTS
Max height (above ground)	mm (ft-in) 432 (1-5)
Dig depth (below ground)	mm (ft-in) 553 (1-9½)
Approach angle	degrees 27.5
Width	mm (ft-in) 2020 (6-7½)
Height	mm (ft-in) 411 (1-4)
Reach in front of tracks	mm (ft-in) 721.4 (2-4½)

WORKING RANGE

Machine model	8055 RTS/ZTS	
Boom length	mm (ft-in)	2500 (8-2)
Dipper length	mm (ft-in)	1500 (4-11)
A Max digging reach	mm (ft-in)	5754 (18-11)
B Max digging reach on ground	mm (ft-in)	5664 (18-7)
C Max digging depth – dozer up	mm (ft-in)	3357 (11-0)
C Max digging depth – dozer down	mm (ft-in)	3575 (11-9)
D Max digging height	mm (ft-in)	5241 (17-2)
E Max dump height	mm (ft-in)	3817 (12-6)
F Max height to dipper nose pivot pin	mm (ft-in)	4499 (14-9)
G Max vertical walkout depth	mm (ft-in)	2159 (7-9)
H Min, front swing radius (no offset)	mm (ft-in)	2474 (8-2)
H Min, front swing radius (fully offset)	mm (ft-in)	2186 (7-2)
I Boom swing left	degrees	61
J Boom swing right	degrees	58
Bucket rotation	degrees	193
Dipper rotation	degrees	126
Bucket tearout	kN (lb)	42.2 (9486.9)
Dipper tearout	kN (lb)	32.8 (7373.7)
Slew speed	rpm	10





EEC NOISE LEVELS (95/27/EC DYNAMIC)

Machine model	8055 RTS/ZTS
Cab / canopy external	dB (LWA) 96
Cab internal	dB (LWA) 76

STANDARD EQUIPMENT

ROPS & TOPS certified fully glazed cab (includes heater, interior light, cup holder, door holdback latch within tail swing, gas strut assisted front screen), single acting circuit for breakers, full audio/visual warning systems, hydraulic slew braking with disc type park brake, control isolator, lockable toolbox, electronic throttle, switchable auto-idle, 12v power socket, fold-up tracking pedals, lifting points, rubber tracks, ISO servo controls, suspension seat, boom worklight, single acting auxiliary circuit to dipper, boom ram protection, dozer blade, boom 2500mm, 1900mm dipper, 2-speed tracking, auto kickdown track motors, auto idle function.

OPTIONAL EQUIPMENT

Dual pattern controls (ISO/SAE change-over), front or rear cab/canopy mounted worklights, air conditioning engine fan guard kit, FOPS roof guard, mirror, toolkit, radio, biodegradable hydraulic oil fire extinguisher, sunblind (cab build), battery isolator, DataTag (UK only), travel alarm, immobiliser, 1 tonne lift option, hose-burst-check-valves, boom, dipper and dozer, yellow roof moulding, digging buckets, ditching/grading bucket, hydraulic breaker, earthfill/rauger, mechanical quickhitch, 1500mm short dipper, double acting auxiliary pipework, mirror kit, JCB impact protection cab screen, pin conversion kit to accept 3CX buckets.

8055 RTS/ZTS LIFT CAPACITIES – Standard Dozer, 400mm (9in) Rubber Tracks, 1900mm (3ft 10 in) dipper, No bucket.

Load Point	2.5m (8ft 2 1/2in)		3m (9ft 10in)		3.5m (11ft 5in)		4m (13ft 1in)		4.5m (14ft 8in)		Capacity at maximum reach								
	Dozer up	Dozer down	Dozer up	Dozer down	Dozer up	Dozer down	Dozer up	Dozer down	Dozer up	Dozer down	Dozer up	Dozer down							
Height																			
m (ft-in)																			
2.5 (8-2 1/2)																			
2.0 (6-6)																			
1.5 (4-11)																			
1 (3-3)																			
0.5 (1-8)																			
Ground Level	1501*	2823	1389*	1220*	2301	1070*	1066*	1866	1066*	811*	1567	705*	778*	1388	778*	603*	1025	490*	5.2 (17-0)
-0.5 - (-1-8)	1503*	2904	1353*	1260*	2379	1020*	1071*	2053	1071*	881*	1638	683*	740*	1359	740*	647*	1033	509*	5.0 (16-4)
-1 - (-3-3)	1510*	2875	1260*	1091*	2275	973*	996*	1844	996*	752*	1588	655*	696*	1234	696*	570*	1037	525*	4.8 (15-7 1/2)

Lift capacity front and rear.

Lift capacity full circle.

Notes:

- Lifting capacities are based on ISO 10567, that is: 75% of minimum tipping load or 87% of hydraulic lift capacity, whichever is the less. Lifting capacities marked* are based on hydraulic capacity.
- Lift capacities assume that the machine is on firm, level ground and equipped with an approved lifting point.
- A bucket must be fitted when lifting, the weight of this bucket must be deducted from the above lift capacities.
- Lift capacities may be limited by local regulations. Please refer to your dealer.

