

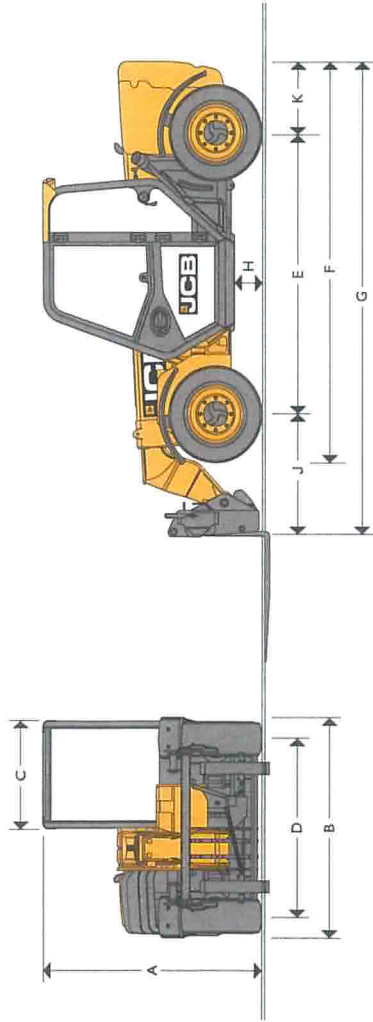


**LOADALL | 525-60 HI VIZ**

Gross power: 55kW/74hp   Lift capacity: 2,500kg   Lift height: 6.0m



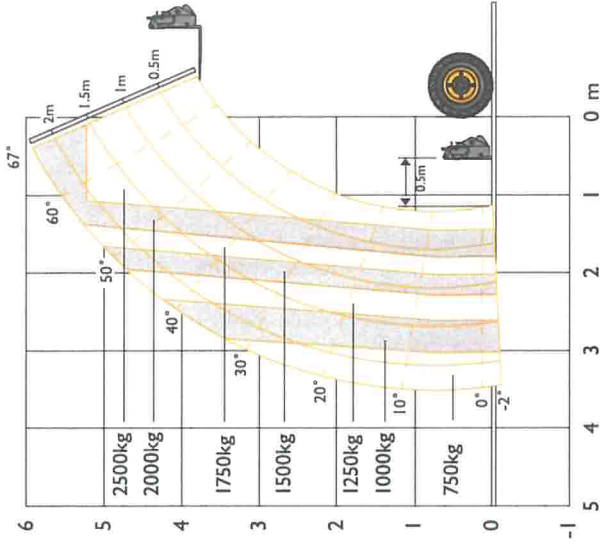
STATIC DIMENSIONS



A Overall height*	m	1.89
B Overall width (over tyres)*	m	1.84
C Inside width of cab	m	0.88
D Front track	m	1.53
E Wheelbase	m	2.39
F Overall length to front tyres	m	3.38
G Overall length to front carriage	m	4
H Ground clearance	m	0.23
J Front wheel centre to carriage	m	1.02
K Rear wheel centre to rear face	m	0.6
I Outside turn radius (over tyres)	m	3.7
Carriage roll back angle	degrees	11
Carriage dump angle	degrees	114
Weight	kg	5230
Tyres	industrial	12x16.5

\*Dependant upon tyre specified.

LIFT PERFORMANCE



Maximum lift capacity	kg	2500
Lift capacity to full height	kg	2000
Lift capacity at full reach	kg	750
Lift height	m	6
Reach at maximum lift height	m	-0.15
Maximum forward reach (to front of carriage)	m	3.5
Complies with stability test EN1459-1		

**ENGINE STAGE V**

Latest Stage V technology and advanced design provides low fuel consumption, reduced noise, high torque and power output, total reliability and minimal maintenance. Two-stage, dry type air filter with primary and safety elements. Territory dependent.

**JCB DIESEL BY KOHLER**

Manufacturer	litr	2.5
Displacement		4
No. of cylinders	mm	88
Bore size	mm	102
Stroke		Turbocharged cooled

**Power rating**  
Power @ 2200rpm

**Torque rating**  
Torque @ 1500rpm

55 (74)  
310

**HYDRAULICS**

Two stage gear pump, fitted with suction strainer and filter. Boom end auxiliary services are optional.

Operating system pressure

Flow at system pressure @ 2200rpm

**Hydraulic cycle times**

Boom raise

Boom lower

Boom extend

Retract

Bucket dump

Bucket crowd

bar

litr/min

235  
80

**Seconds**

7.6

5.3

7.5

3.7

1.9  
2.9

**TRANSMISSION**

Closed loop variable displacement pump with a continuously variable hydrostatic drive. Comprising of a hydraulic motor and control unit. Permanent 4 wheel drive. Travel speed: 25kph (15mph), 20kph (12mph) (TUV).

Low range

High range

	Forward	Reverse
kph	12	12
kph	25	25

**ELECTRICS**

System voltage

Alternator output

Battery capacity

Full road lighting, Reversing light, Direction indicators, Hazard warning, Reverse alarm.

Volt

Amp hour

Amp hour

12  
100  
120

**NOISE AND VIBRATION**

Noise at the operator station (LpA)

Noise emission from the machine (LWA)

Whole body vibration (m/s<sup>2</sup>)

Hand-arm vibration (m/s<sup>2</sup>)

**Uncertainty**

+/- 1 dB

+/- 1 dB

0.43

<2.5

N/A

**Measurement conditions**

Determined in accordance with the test method defined in EN12053.

Guaranteed equivalent sound power (external noise) determined in accordance with the dynamic test conditions defined in 2000/14/EC.

ISO 2631-1:1997 normalised to an 8h reference period and based upon a test cycle defined in SAE J1166.

ISO 5349-2:2001 dynamic test conditions.

**AXLES**

**Front and rear drive JCB axles:** epicyclic hub reduction drive/steer axles with torque proportioning differentials.

**BRAKES**

**Service brakes:** Hydraulically operated self-adjusting, oil-immersed in-board multi-disc type mounted on front axle.

**Parking brake:** SA-IR Handbrake self adjusting, oil immersed in-board multi disc type mounted on front axle operated by in-cab switch.

**SERVICE FILL CAPACITIES**

Hydraulic system

Fuel tank

litres

litres

65

75

**BOOM AND CARRIAGE**

Boom is manufactured from high tensile steel. Low maintenance, hard wearing pads, JCB Q-Fit, JCB compact toolcarrier, Skid-Steer.

**STEERING**

Hydrostatic power steering with power track rods on both axles.

**Three steer mode options:** Front wheel steer, all wheel steer, crab steer, operated from in the cab by a selection lever.

**Option:** In cab selector switch with Auto Align.

**CAB**

Quiet, safe and comfortable cab conforms to ROPS ISO 3471 and FOPS ISO 3449. Tinted glass all round, with laminated roof screen. Roof bars, front screen and roof screen wipers and heater/screen demister. Rear opening window with wash/wipe. Audio-visual warning system for coolant temperature, engine oil pressure, air-cleaner, battery charge, transmission oil temperature and pressure, water in fuel, hourmeter, road speed indicator, fuel gauge, engine temperature, clock and inclinometer. Adjustable suspension seat, tilt steer column, park brake, floor mounted throttle and brake pedals.

**Hydraulic controls:** Single lever servo joystick, incorporating forward/neutral/reverse, with progressive extend/retract and auxiliary incorporating constant flow facility.

**Load Moment Indicator:** Automatic eye level audio-visual load moment indicator warning system receiving a signal from a load sensor on the rear axle. This system continuously monitors the machine's forward stability and leaves the operator in control at all times.

**OPTIONS**

**Options:** Front and rear working lights, rotating flashing beacon, fire extinguisher, front screen guard, air conditioning, boom end auxiliary services, sunblind, radio kit, carriage hydraulic locking, limited slip differential in front axle, air suspension seat, 2-speed and intermittent front wash/wiper.

**Attachments:** Contact your local dealer for details of the comprehensive range.

\*Adaptive Load Control for EU territories conforms to EN15000.