

# HD 13 VV / VT



## Articulated tandem roller

- ▶ Optimal view due to concave front end
- ▶ Excellent view to the drum edges
- ▶ Ergonomic driver's platform, low working platform
- ▶ Modern instrument panel
- ▶ Low machine height
- ▶ 3-point swivel joint for outstanding driving comfort
- ▶ Crab steering
- ▶ Very easy maintenance, long service intervals



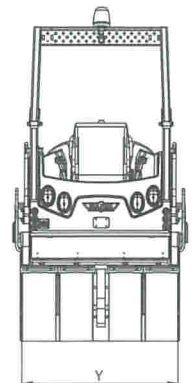
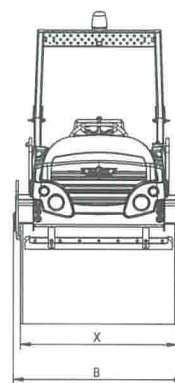
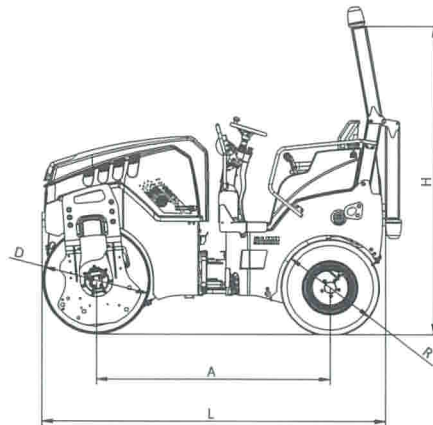
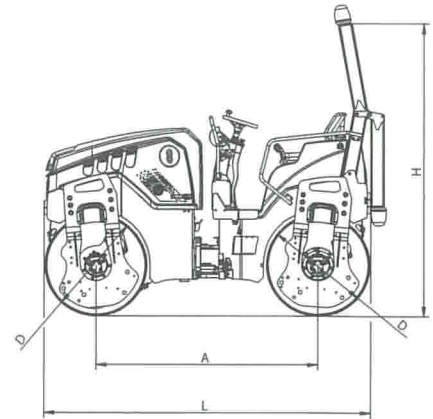
# HD 13 VV / HD 13 VT



TECHNICAL DATA	HD 13 VV	HD 13 VT
----------------	----------	----------

Weights			
Operating weight	kg	3970	3820
Maximum weight	kg	4300	4300
Axle load, front/rear	kg	2010/1960	2010/1810
Load per tire, rear	kg		452,5
Static linear load, front/rear	kg/cm	15,5/15,1	
Static linear load, front	kg/cm		15,5
Machine dimensions			
Max. working width	mm	1350	1338
Turning radius, inside	mm	2690	2690
Size of tires, rear			10.5/80-16
Diesel engine			
Manufacturer		KUBOTA	KUBOTA
Type		V2203-M-E3B	V2203-M-E3B
Number of cylinders		4	4
Power rat. DIN/ISO3046iFN kW/PS/rpm		34,6/47,1/2700	34,6/47,1/2700
Power rating SAE J1349, kW/HP/rpm		34,6/46,4/2700	34,6/46,4/2700
Drive			
Hydrostatic drive, front/rear		Hydr. motor/hydr. motor	Hydr. motor/hydr. motor
Speed, infinitely variable	km/h	0 - 11,0	0 - 11,0
Climbing ability, vibration on/off	%	30/40	30/40
Vibration system			
Hydrostatic drive. Front and rear vibration one and double switch (VV), automatic vibration switch-off at overspeed. Manual or automatic vibration control.			
Vibration			
Vibration frequency, front, l/II	Hz	51/60	51/60
Vibration frequency, rear, l/II	Hz	51/60	
Amplitude, front, l/II	mm	0,31/0,51	
Amplitude, rear, l/II	mm	0,31/0,51	
Amplitude, front, l/II	mm		0,31/0,51
Centrifugal force, front, l/II	kN	39/64	
Centrifugal force, rear, l/II	kN	39/64	
Centrifugal force, front, l/II	kN		39/64
Steering			
Steering, type		Pivoted steering	Pivoted steering
Steering, actuation		hydrostatic, steer. wheel	hydrostatic, steer. wheel
Steering lock +/-	Grad	33	33
Oscillation angle +/-	Grad	8	8
Brake system			
Service brake, mode of action		hydrostatic	hydrostatic
Service brake, actuation		Drive lever	Drive lever
Parking brake, mode of action		Spring-loaded/mechanical	Spring-loaded/mechanical
Parking brake, actuation		electr. a. autom.	electr. a. autom.
Emergency brake, mode of action		hydr./mech.	hydr./mech.
Emergency brake, actuation		Emergency stop	Emergency stop
Sprinkler system			
Water sprinkler, type		Pressure	Pressure
Actuation, sprinkling		interval/manual	interval/manual
Water tank, capacity	Ltr.	290	290
Additive sprinkling, type			Pressure
Actuation, additive sprinkling			Push button
Additive tank, capacity	Ltr.		18
Equipment			
50 mm crab steering, suspended driver seat, comfort seat with safety belt, 2 multifunctional control levers, hour meter, pilot lamps and emergency stop device, CE-conformity.			
Optional			
Lighting according to German Road Regulation, 2 working lamps on ROPS, backup alarm, rotating beacon, special paint, sun top, ROPS, edge pressing and cutting equipment, super noise insulation.			

HD 13 VV - Articulated tandem roller  
HD 13 VT - Articulated combination tandem roller



Further data on request / subject to change

	HD 13 VV	HD 13 VT
Total length	L 2860	2860
Width	B 1426	1426
Total height	H 2590	2590
Wheel base	A 1950	1950
Roller drum width	X 1300	1300
Drum diameter	D 900	900
Width over tires	Y	1276
Diameter of tires	R	810
Height loading, min.	HI 1820	1820